

**BANDING WHEELS**

**WBW1** Whirler Aluminium (Tall) 119.50




Height = 170mm  
Wheel Diameter=220mm

**WBW2** Whirler Aluminium (Short) 114.50



Height = 65mm  
Wheel Diameter=220mm

**BWA** Cast Iron/ Aluminium 126.75



Height = 100mm  
Wheel Diameter=300mm

**BWA2** Cast Iron / Aluminium Turntable 59.95



Height = 100mm  
Wheel Diameter=180mm

**BWC** Craftwood with Bearing 38.90



**ROHDE BANDING WHEELS**



RSN 220



RSH 220



RSSH 260

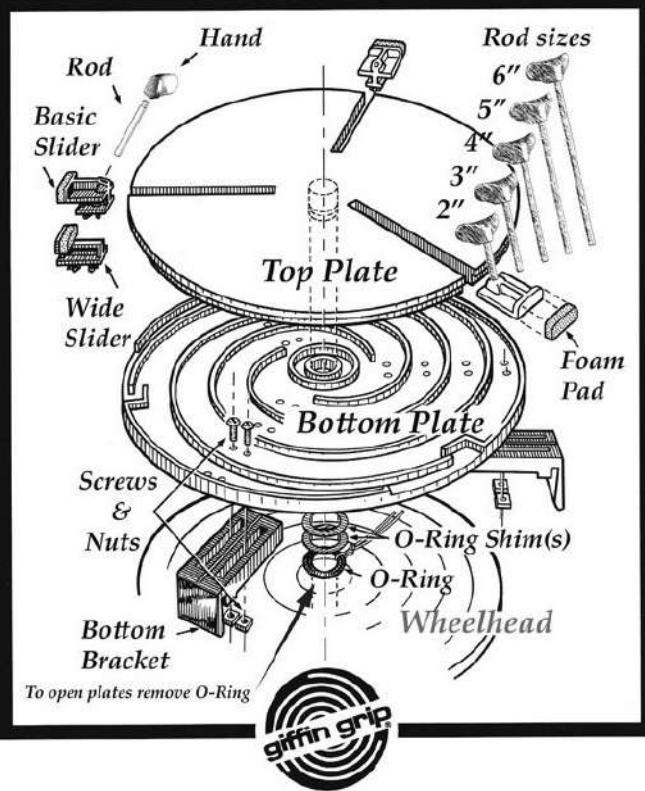


RSSN 260

<b>RSN220</b>	\$159.40
<b>RSH220</b>	\$167.10
<b>RSSN260</b>	\$252.20
<b>RSSH260</b>	\$267.60

**GIFFIN GRIP**

**GC1** Complete Set 469.95



Spare Parts for Giffin Grip also available.

**XBM12 BATMATE™ \$17.35** *The perfect solution for bat jitter and warping.*



Place Batmate™ below your problem bats on the wheel and instantly your warped bats become stable. It is also great for trimming bowls and plates.

# STUDIO EQUIPMENT

**VENCO SLAB ROLLER** \$2225.00




**Specifications**  
 Table Height 87cm Table Length 120cm  
 Table Width 82cm Roller Width 76cm  
 Packed Weight 70kg (0.52m<sup>3</sup>)

- ❖ Competitively priced
- ❖ Easy roller adjustment with thickness indicator
- ❖ Large diameter operator handle for easy rolling
- ❖ Comes complete with canvas
- ❖ Very stable galvanised and powdercoated steel frame
- ❖ Large work tables

Additional Canvas \$107.55

**ROHDE SLAB ROLLER** \$POA



- ◆ Large workspace (650 x 850 mm) providing good overview
- ◆ Continuous setting of thickness (up to 85 mm) from two sides, easy-to-read scale
- ◆ Precise movement of roller using 8 ball bearings on stainless steel roller table
- ◆ 2-layer industrial linen, easy cleaning
- ◆ Roller diameter 100 mm
- ◆ Large wheel handle facilitates operation

Additional Canvas

**VENCO TABLE TOP SLAB ROLLER** \$1300.00



**Features**  
 Durable Waterproof Heavy Duty Ply Side Tables  
 600mm long x 400mm wide  
 Removable Side Tables for easy storage  
 Double Roller Geared Drive  
 Corrosion resistant precision cut gears  
 Lightweight @20kg

Additional Canvas \$77.80


**VENCO HIGH CAPACITY EXTRUDER with Die Set** \$749.95

Optional Hollow Die Set (not shown) \$124.20



**WME WALL MOUNTED EXTRUDER** \$460.35

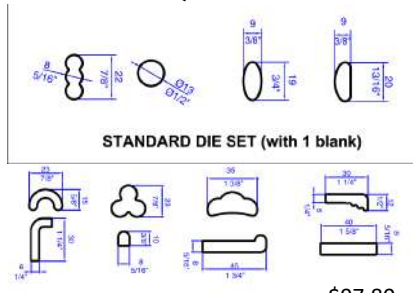
**Designed and Made in Australia  
 Super Robust  
 Ideal for Schools and Studios**



76mm Barrel  
 All Stainless Steel  
 Includes 4 Dies and 1 Blank Die

Standard Die Shapes

Quick Release Die Holder



**STANDARD DIE SET (with 1 blank)**

**OPTIONAL 8 PIECE DIE SET** \$97.80

**VPM VENCO MINI PUG MILL** \$1891.20

63mm Nozzle, Non-Deairing



# Venco

AUSTRALIAN MADE SINCE 1972



Cone Drive No3 Mark II \$1375.00

*\$1395.00 with pins installed in wheelhead*

- Infinitely variable dependent on foot pedal position
- Free wheeling wheel head
- Corrosion resistant aluminium tray and wheel head. Steel frame/body zinc plated and powder coated for extreme corrosion resistance
- Light weight and compact
- Foot operated speed control
- Guaranteed for 36 months against defective parts or faulty workmanship



Direct Drive Mark II

\$1969.00

*\$1989.00 with pins installed in wheelhead*

- Motor: Direct drive 550W (3/4 HP) permanent magnet. No belts or pulleys (nothing to tension, no belt thump). Brushless design (maintenance free). Ultra quiet and incredible low speed torque
- Corrosion resistant aluminium tray and wheel head. Steel frame/body zinc plated and powder coated for extreme corrosion resistance
- Ergonomic low profile foot pedal
- Intelligent microprocessor based control system for smooth, precise control
- Easy clean touch pad control on side of wheel - forward and reverse button
- Energy efficient – low power consumption
- 0 - 300 RPM
- Compact for easy storage
- Guaranteed for 36 months against defective parts or faulty workmanship

## ROHDE

HMT 500 Pottery Wheel

\$POA

- Aluminium wheel head, diameter 340 mm
- Wheel head equipped with device for quick change of MDF wooden batts
- Quiet and powerful high-torque drive, foot pedal for flexible and individual speed adjustment
- Left and right drive
- Working height adjustable from 550 to 690 mm
- Seat adjustable in height, inclination and distance to wheel
- Including large splash pan, easy to remove and with lockable drain outlet



## STUDIO EQUIPMENT

VENCO PARTS & ACCESSORIES		
VS	Seat to suit Models 3 & 5	TBA
VDDS	Seat to suit Direct Drive	TBA
VDD1	Work Table — Left or Right — Suits Direct Drive, No. 3 or No. 5 Models	\$69.95
VD13	Drive Wheel Assembly 305mm (13") for Models 3 & 5	\$190.80
VH13	Wheel Head 330mm (13") Diameter Shaft 25mm (1")	\$246.55
VBK20	Bush Kit 20mm (3/4") Shaft 280mm (11") Wheel Head for Models 3 & 6	\$59.95
VBK25	Bush Kit 25mm (1") Shaft 330mm (13") Wheel Head for Models 3 & 5	\$59.95
VM50	1/2HP Motor Cradle & Spring (No. 3, 5)	TBA
VSL	Spring - Large	\$18.00
VSS	Spring - Small	\$8.10
VGS/VGL	Grommet -Small & Large <i>Note: Venco Models 3 &amp; 5 requires 4 Small Grommets for the motor mounting &amp; 4 Large Grommets for the rods that go across the wheel. The Venco Model 6 requires 8 Large Grommets.</i>	\$4.35
VBP	Batt Pin	\$3.45