


BANDING WHEELS		
WBW1	Whirler Aluminium (Tall)	119.50
		Height = 170mm Wheel Diameter=220mm
WBW2	Whirler Aluminium (Short)	114.50
		Height = 65mm Wheel Diameter=220mm
BWA	Cast Iron/ Aluminium	104.90
		Height = 100mm Wheel Diameter=300mm
BWA2	Cast Iron / Aluminium Turntable	54.95
		Height = 100mm Wheel Diameter=180mm
BWC	Craftwood with Bearing	38.90
		
BWPT	Plastic Turntable	20.95
		Height = 35mm Wheel Diameter=205mm

XBM12 BATMATE™ **\$17.35**

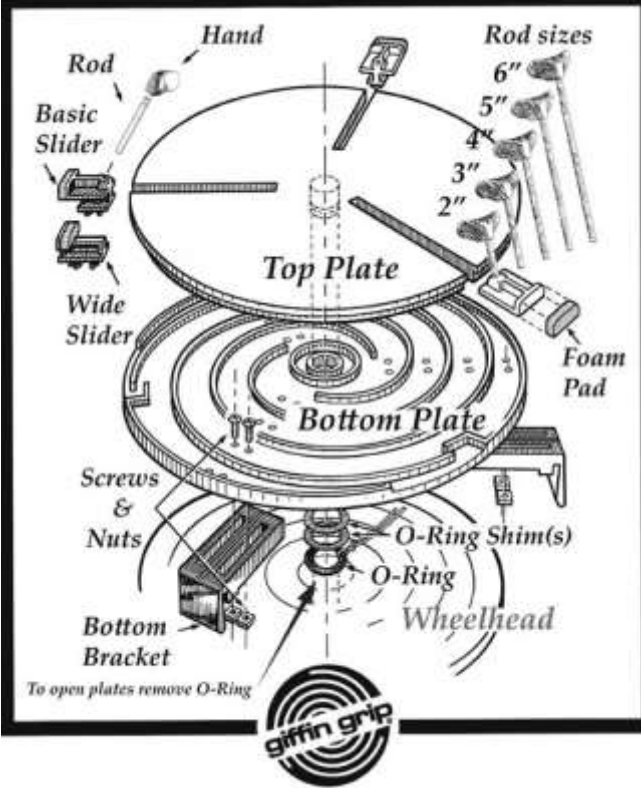


The perfect solution for bat jitter and warping.

Place Batmate™ below your problem bats on the wheel and instantly your warped bats become stable. It is also great for trimming bowls and plates.

GIFFIN GRIP

GC1 Complete Set 409.10



Labels in diagram: Rod, Hand, Rod sizes (6", 5", 4", 3", 2"), Basic Slider, Wide Slider, Top Plate, Bottom Plate, Foam Pad, Screws & Nuts, O-Ring Shim(s), O-Ring, Wheelhead, Bottom Bracket.

To open plates remove O-Ring

giffin grip


Spare Parts for Giffin Grip also available.

TALISMAN HAND PLUNGER

\$62.95

Stainless Steel

700mm length with 220mm diameter plunger plate



VENCO SLAB ROLLER 2087.25



Specifications
 Table Height 87cm Table Length 120cm
 Table Width 82cm Roller Width 76cm
 Packed Weight 70kg (0.52m³)

- ❖ Competitively priced
- ❖ Easy roller adjustment with thickness indicator
- ❖ Large diameter operator handle for easy rolling
- ❖ Comes complete with canvas
- ❖ Very stable galvanised and powdercoated steel frame
- ❖ Large work tables

Additional Canvas 98.90

VENCO TABLE TOP SLAB ROLLER 1119.95



Features
 Durable Waterproof Heavy Duty Ply Side Tables
 600mm long x 400mm wide
 Removable Side Tables for easy storage
 Double Roller Geared Drive
 Corrosion resistant precision cut gears
 Lightweight @20kg

Additional Canvas available

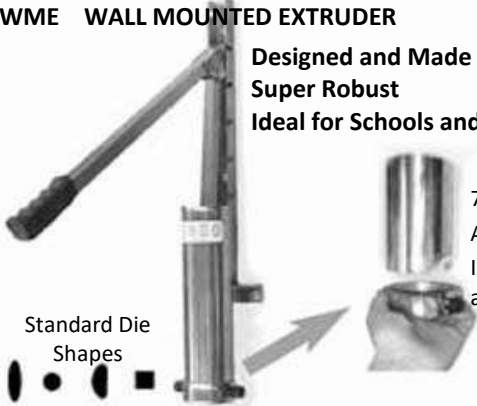
VENCO HIGH CAPACITY EXTRUDER with Die Set 749.95

Optional Hollow Die Set (not shown) 124.20



WME WALL MOUNTED EXTRUDER 460.35

Designed and Made in Australia
 Super Robust
 Ideal for Schools and Studios



76mm Barrel
 All Stainless Steel
 Includes 4 Dies and 1 Blank Die

Standard Die Shapes

Quick Release Die Holder

STANDARD DIE SET (with 1 blank)

OPTIONAL 8 PIECE DIE SET \$97.80

VPM VENCO MINI PUG MILL 1752.05

63mm Nozzle, Non-Deairing



STUDIO EQUIPMENT

direct drive
wireless footpedal

- Packed full of innovative features:
- wireless foot pedal (no cable) - **WORLD FIRST**
 - motor directly coupled to wheelhead
 - auxillary finger-tip speed control via touch pad
 - high efficiency motor for low power consumption
 - incredible torque, smooth and quiet
 - stainless steel body and legs

Only \$1728.90



DIRECT DRIVE ACCESSORIES		
CODE	ITEM	\$
VDD1	Work Table—Left or Right Also suits No. 3 or No. 5 Models	59.50
VDDS	Seat	150.60
VDDSK	Stand Up Kits (raises wheel head to 84cm)	221.85
VDD2	Riser Batt	55.80
VDD3	Standard Batt	31.90

VENCO POTTERY WHEELS (Australian Made)

All Venco Products come with a 1 year manufacturer's warranty

CODE	ITEM	\$
VW313	No. 3 1/2 HP, 330mm (13") Wheel Head	1280.00
VW513	No. 5 1/2 HP, 330mm (13") Wheel Head, Heavy Duty, Speed Lock	1356.80
VENCO PARTS & ACCESSORIES		
VSK	Stand Up Kit for Models 3 & 5	389.75
VS	Seat to suit Models 3 & 5	150.60
VD611	Drive Wheel Assembly 280mm (11") for Model 6	105.00
VD311	Drive Wheel Assembly 280mm (11") for Model 3	105.00
VD13	Drive Wheel Assembly 305mm (13") for Models 3 & 5	105.00
VH11	Wheel Head 280mm (11") Diameter Shaft 20mm (3/4")	166.80
VH13	Wheel Head 330mm (13") Diameter Shaft 25mm (1")	206.65
VBK20	Bush Kit 20mm (3/4") Shaft 280mm (11") Wheel Head for Models 3 & 6	59.95
VBK25	Bush Kit 25mm (1") Shaft 330mm (13") Wheel Head for Models 3 & 5	59.95
VM25	1/4HP Motor Cradle & Spring (Compact)	369.00
VM50	1/2HP Motor Cradle & Spring (No. 3, 5)	385.95
VCD	Cone Drive (all models)	65.30
VSL	Spring - Large	14.70
VSS	Spring - Small	8.10
VGS/VGL	Grommet -Small & Large	4.35
	<i>Note: Venco Models 3 & 5 requires 4 Small Grommets for the motor mounting & 4 Large Grommets for the rods that go across the wheel. The Venco Model 6 requires 8 Large Grommets.</i>	
VBP	Batt Pin	3.45

