


BANDING WHEELS

WBW1 Whirler Aluminium (Tall) 119.50




Height = 170mm
Wheel Diameter=220mm

WBW2 Whirler Aluminium (Short) 114.50



Height = 65mm
Wheel Diameter=220mm

BWA Cast Iron/ Aluminium 104.90




Height = 100mm
Wheel Diameter=300mm

BWA2 Cast Iron / Aluminium Turntable 54.95




Height = 100mm
Wheel Diameter=180mm

BWC Craftwood with Bearing 38.90




BWPT Plastic Turntable 20.95



Height = 35mm
Wheel Diameter=205mm

XBM12 BATMATE™ \$17.35 *The perfect solution for bat jitter and warping.*



Place Batmate™ below your problem bats on the wheel and instantly your warped bats become stable. It is also great for trimming bowls and plates.

ROHDE BANDING WHEELS

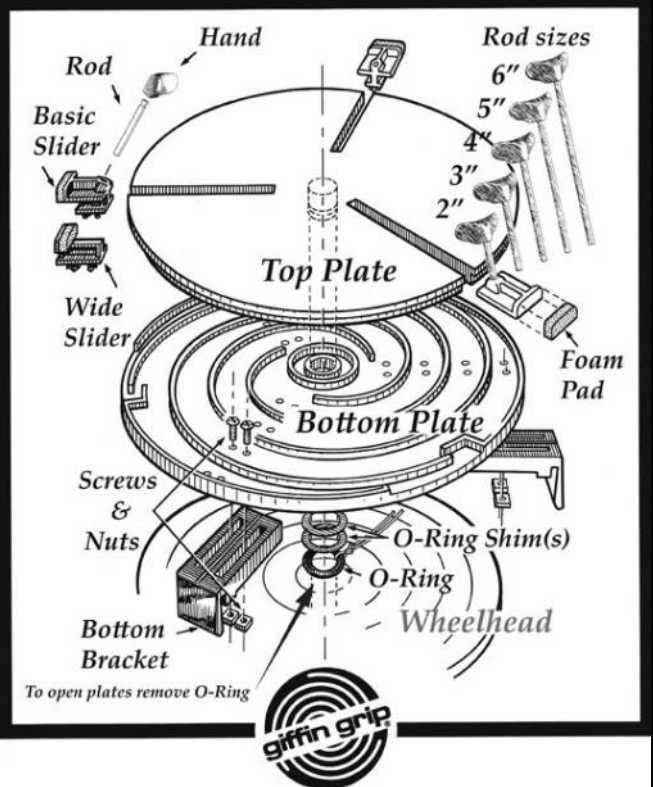


RSN 220
RSH 220
RSSH 260
RSSN 260

RSN220	\$136.90
RSH220	\$159.95
RSSN260	\$234.85
RSSH260	\$265.95

GIFFIN GRIP

GC1 Complete Set 469.95



Labels in diagram: Rod, Hand, Rod sizes (6", 5", 4", 3", 2"), Basic Slider, Wide Slider, Top Plate, Bottom Plate, Foam Pad, Screws & Nuts, O-Ring Shim(s), O-Ring, Wheelhead, Bottom Bracket.

To open plates remove O-Ring

giffin grip

Spare Parts for Giffin Grip also available.

STUDIO EQUIPMENT

VENCO SLAB ROLLER \$2175.80




Specifications
 Table Height 87cm Table Length 120cm
 Table Width 82cm Roller Width 76cm
 Packed Weight 70kg (0.52m³)

- ❖ Competitively priced
- ❖ Easy roller adjustment with thickness indicator
- ❖ Large diameter operator handle for easy rolling
- ❖ Comes complete with canvas
- ❖ Very stable galvanised and powdercoated steel frame
- ❖ Large work tables

Additional Canvas \$107.55

ROHDE SLAB ROLLER \$POA



- ◆ Large workspace (650 x 850 mm) providing good overview
- ◆ Continuous setting of thickness (up to 85 mm) from two sides, easy-to-read scale
- ◆ Precise movement of roller using 8 ball bearings on stainless steel roller table
- ◆ 2-layer industrial linen, easy cleaning
- ◆ Roller diameter 100 mm
- ◆ Large wheel handle facilitates operation

Additional Canvas

VENCO TABLE TOP SLAB ROLLER \$1170.15



Features
 Durable Waterproof Heavy Duty Ply Side Tables
 600mm long x 400mm wide
 Removable Side Tables for easy storage
 Double Roller Geared Drive
 Corrosion resistant precision cut gears
 Lightweight @20kg

Additional Canvas \$69.95


VENCO HIGH CAPACITY EXTRUDER with Die Set \$749.95

Optional Hollow Die Set (not shown) \$124.20



WME WALL MOUNTED EXTRUDER \$460.35

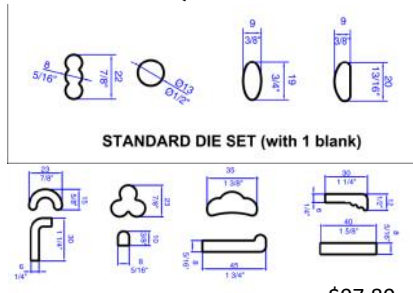
**Designed and Made in Australia
 Super Robust
 Ideal for Schools and Studios**



76mm Barrel
 All Stainless Steel
 Includes 4 Dies and 1 Blank Die

Standard Die Shapes

Quick Release Die Holder



STANDARD DIE SET (with 1 blank)

OPTIONAL 8 PIECE DIE SET \$97.80

VPM VENCO MINI PUG MILL \$1891.20

63mm Nozzle, Non-Deairing



STUDIO EQUIPMENT

VENCO POTTERY WHEELS (Australian Made)
 All Venco Products come with a 1 year manufacturer's warranty

CODE	ITEM	\$
VW313	No. 3 1/2 HP, 330mm (13") Wheel Head	\$1353.45
VW513	No. 5 1/2 HP, 330mm (13") Wheel Head, Heavy Duty, Speed Lock	\$1420.20



direct drive
 wireless footpedal

- Packed full of innovative features;**
- wireless foot pedal (no cable) - **WORLD FIRST**
 - motor directly coupled to wheelhead
 - auxiliary finger-tip speed control via touch pad
 - high efficiency motor for low power consumption
 - incredible torque, smooth and quiet
 - stainless steel body and legs

Only \$1805.80



VENCO PARTS & ACCESSORIES

VSK	Stand Up Kit for Models 3 & 5	\$389.75
VS	Seat to suit Models 3 & 5	\$150.60
VDDS	Seat to suit Direct Drive	\$150.60
VDD1	Work Table — Left or Right — Suits Direct Drive, No. 3 or No. 5 Models	\$61.90
VDD2	Riser Batt	\$62.75
VDD3	Standard Batt	\$35.75
VD13	Drive Wheel Assembly 305mm (13") for Models 3 & 5	\$118.25
VH11	Wheel Head 280mm (11") Diameter Shaft 20mm (3/4")	\$246.55
VH13	Wheel Head 330mm (13") Diameter Shaft 25mm (1")	\$246.55
VBK20	Bush Kit 20mm (3/4") Shaft 280mm (11") Wheel Head for Models 3 & 6	\$59.95
VBK25	Bush Kit 25mm (1") Shaft 330mm (13") Wheel Head for Models 3 & 5	\$59.95
VM25	1/4HP Motor Cradle & Spring (Compact)	\$369.00
VM50	1/2HP Motor Cradle & Spring (No. 3, 5)	\$385.95
VCD	Driver Cone (all models)	\$65.30
VSL	Spring - Large	\$18.00
VSS	Spring - Small	\$8.10
VGS/ VGL	Grommet -Small & Large <i>Note: Venco Models 3 & 5 requires 4 Small Grommets for the motor mounting & 4 Large Grommets for the rods that go across the wheel. The Venco Model 6 requires 8 Large Grommets.</i>	\$4.35
VBP	Batt Pin	\$3.45

ROHDE POTTERY WHEEL

§POA



- Aluminium wheel head, diameter 340 mm
- Wheel head equipped with device for quick change of MDF wooden batts
- Quiet and powerful high-torque drive, foot pedal for flexible and individual speed adjustment
- Left and right drive
- Working height adjustable from 550 to 690 mm
- Seat adjustable in height, inclination and distance to wheel
- Including large splash pan, easy to remove and with lockable drain outlet