

BANDING WHEELS

WBW1 Whirler Aluminium (Tall) 119.50



Height = 170mm
Wheel Diameter=220mm

WBW2 Whirler Aluminium (Short) 114.50



Height = 65mm
Wheel Diameter=220mm

BWA Cast Iron/ Aluminium 104.90



Height = 100mm
Wheel Diameter=300mm

BWA2 Cast Iron / Aluminium Turntable 54.95



Height = 100mm
Wheel Diameter=180mm

BWC Craftwood with Bearing 38.90




BWPT Plastic Turntable 20.95



Height = 35mm
Wheel Diameter=205mm

XBM12 BATMATE™ \$17.35 *The perfect solution for bat jitter and warping.*



Place Batmate™ below your problem bats on the wheel and instantly your warped bats become stable. It is also great for trimming bowls and plates.

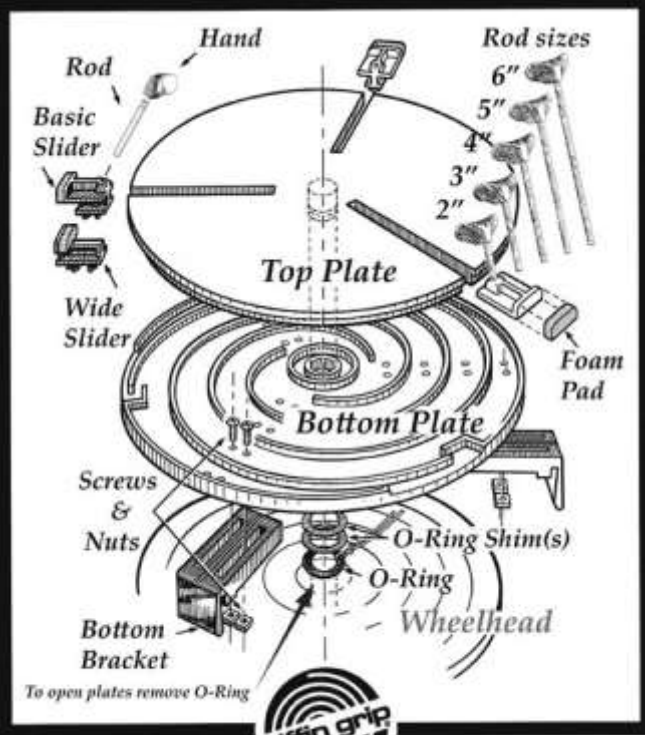
ROHDE BANDING WHEELS



RSN220	\$136.90
RSH220	\$145.95
RSSN260	\$234.85
RSSH260	\$241.95

GIFFIN GRIP

GC1 Complete Set 409.10



Spare Parts for Giffin Grip also available.

STUDIO EQUIPMENT

VENCO SLAB ROLLER \$2175.80




Specifications
 Table Height 87cm Table Length 120cm
 Table Width 82cm Roller Width 76cm
 Packed Weight 70kg (0.52m³)

- ❖ Competitively priced
- ❖ Easy roller adjustment with thickness indicator
- ❖ Large diameter operator handle for easy rolling
- ❖ Comes complete with canvas
- ❖ Very stable galvanised and powdercoated steel frame
- ❖ Large work tables

Additional Canvas \$107.55

ROHDE SLAB ROLLER \$POA



- ◆ Large workspace (650 x 850 mm) providing good overview
- ◆ Continuous setting of thickness (up to 85 mm) from two sides, easy-to-read scale
- ◆ Precise movement of roller using 8 ball bearings on stainless steel roller table
- ◆ 2-layer industrial linen, easy cleaning
- ◆ Roller diameter 100 mm
- ◆ Large wheel handle facilitates operation

Additional Canvas

VENCO TABLE TOP SLAB ROLLER \$1170.15



Features
 Durable Waterproof Heavy Duty Ply Side Tables
 600mm long x 400mm wide
 Removable Side Tables for easy storage
 Double Roller Geared Drive
 Corrosion resistant precision cut gears
 Lightweight @20kg

Additional Canvas \$69.95


VENCO HIGH CAPACITY EXTRUDER with Die Set \$749.95

Optional Hollow Die Set (not shown) \$124.20



WME WALL MOUNTED EXTRUDER \$460.35

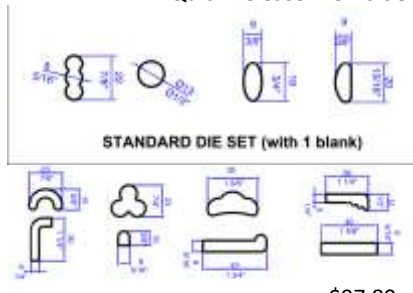
**Designed and Made in Australia
 Super Robust
 Ideal for Schools and Studios**



76mm Barrel
 All Stainless Steel
 Includes 4 Dies and 1 Blank Die

Standard Die Shapes

Quick Release Die Holder



STANDARD DIE SET (with 1 blank)

OPTIONAL 8 PIECE DIE SET \$97.80

VPM VENCO MINI PUG MILL \$1891.20

63mm Nozzle, Non-Deairing



STUDIO EQUIPMENT

VENCO POTTERY WHEELS (Australian Made)
 All Venco Products come with a 1 year manufacturer's warranty

CODE	ITEM	\$
VW313	No. 3 1/2 HP, 330mm (13") Wheel Head	\$1353.45
VW513	No. 5 1/2 HP, 330mm (13") Wheel Head, Heavy Duty, Speed Lock	\$1420.20



direct drive
 wireless footpedal

- Packed full of innovative features;
- wireless foot pedal (no cable) - **WORLD FIRST**
 - motor directly coupled to wheelhead
 - auxiliary finger-tip speed control via touch pad
 - high efficiency motor for low power consumption
 - incredible torque, smooth and quiet
 - stainless steel body and legs

Only \$1805.80



VENCO PARTS & ACCESSORIES

VSK	Stand Up Kit for Models 3 & 5	\$389.75
VS	Seat to suit Models 3 & 5	\$150.60
VDDS	Seat to suit Direct Drive	\$150.60
VDD1	Work Table — Left or Right — Suits Direct Drive, No. 3 or No. 5 Models	\$61.90
VDD2	Riser Batt	\$62.75
VDD3	Standard Batt	\$35.75
VD13	Drive Wheel Assembly 305mm (13") for Models 3 & 5	\$118.25
VH11	Wheel Head 280mm (11") Diameter Shaft 20mm (3/4")	\$246.55
VH13	Wheel Head 330mm (13") Diameter Shaft 25mm (1")	\$246.55
VBK20	Bush Kit 20mm (3/4") Shaft 280mm (11") Wheel Head for Models 3 & 6	\$59.95
VBK25	Bush Kit 25mm (1") Shaft 330mm (13") Wheel Head for Models 3 & 5	\$59.95
VM25	1/4HP Motor Cradle & Spring (Compact)	\$369.00
VM50	1/2HP Motor Cradle & Spring (No. 3, 5)	\$385.95
VCD	Driver Cone (all models)	\$65.30
VSL	Spring - Large	\$18.00
VSS	Spring - Small	\$8.10
VGS/ VGL	Grommet -Small & Large <i>Note: Venco Models 3 & 5 requires 4 Small Grommets for the motor mounting & 4 Large Grommets for the rods that go across the wheel. The Venco Model 6 requires 8 Large Grommets.</i>	\$4.35
VBP	Batt Pin	\$3.45

ROHDE POTTERY WHEEL

\$POA



- Aluminium wheel head, diameter 340 mm
- Wheel head equipped with device for quick change of MDF wooden batts
- Quiet and powerful high-torque drive, foot pedal for flexible and individual speed adjustment
- Left and right drive
- Working height adjustable from 550 to 690 mm
- Seat adjustable in height, inclination and distance to wheel
- Including large splash pan, easy to remove and with lockable drain outlet