

**BANDING WHEELS**

**WBW1** Whirler Aluminium (Tall) 119.50




Height = 170mm  
Wheel Diameter=220mm

**WBW2** Whirler Aluminium (Short) 114.50



Height = 65mm  
Wheel Diameter=220mm

**BWA** Cast Iron/ Aluminium 104.90




Height = 100mm  
Wheel Diameter=300mm

**BWA2** Cast Iron / Aluminium Turntable 54.95



Height = 100mm  
Wheel Diameter=180mm

**BWC** Craftwood with Bearing 38.90



**BWPT** Plastic Turntable 20.95



Height = 35mm  
Wheel Diameter=205mm

**XBM12 BATMATE™ \$17.35** *The perfect solution for bat jitter and warping.*



Place Batmate™ below your problem bats on the wheel and instantly your warped bats become stable. It is also great for trimming bowls and plates.

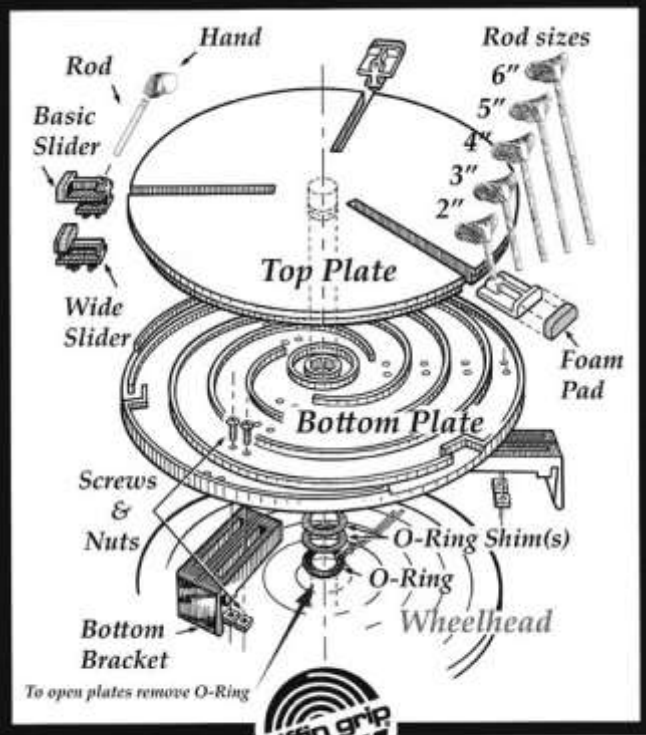
**ROHDE BANDING WHEELS**



<b>RSN220</b>	\$136.90
<b>RSH220</b>	\$159.95
<b>RSSN260</b>	\$234.85
<b>RSSH260</b>	\$265.95

**GIFFIN GRIP**

**GC1** Complete Set 469.95



Spare Parts for Giffin Grip also available.

# STUDIO EQUIPMENT

**VENCO SLAB ROLLER** \$2175.80




**Specifications**  
 Table Height 87cm    Table Length 120cm  
 Table Width 82cm    Roller Width 76cm  
 Packed Weight 70kg (0.52m<sup>3</sup>)

- ❖ Competitively priced
- ❖ Easy roller adjustment with thickness indicator
- ❖ Large diameter operator handle for easy rolling
- ❖ Comes complete with canvas
- ❖ Very stable galvanised and powdercoated steel frame
- ❖ Large work tables

Additional Canvas    \$107.55

**ROHDE SLAB ROLLER** \$POA



- ◆ Large workspace (650 x 850 mm) providing good overview
- ◆ Continuous setting of thickness (up to 85 mm) from two sides, easy-to-read scale
- ◆ Precise movement of roller using 8 ball bearings on stainless steel roller table
- ◆ 2-layer industrial linen, easy cleaning
- ◆ Roller diameter 100 mm
- ◆ Large wheel handle facilitates operation

Additional Canvas

**VENCO TABLE TOP SLAB ROLLER** \$POA



**Features**  
 Durable Waterproof Heavy Duty Ply Side Tables  
 600mm long x 400mm wide  
 Removable Side Tables for easy storage  
 Double Roller Geared Drive  
 Corrosion resistant precision cut gears  
 Lightweight @20kg

Additional Canvas    \$69.95

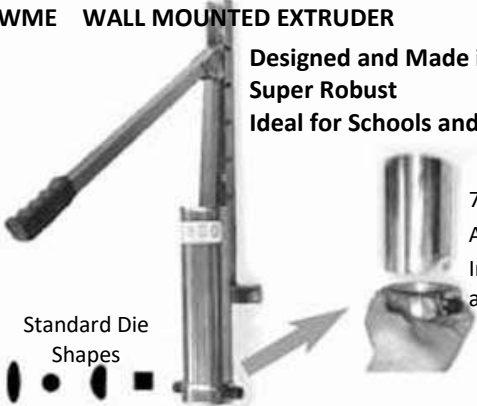
**VENCO HIGH CAPACITY EXTRUDER with Die Set** \$749.95

Optional Hollow Die Set (not shown) \$124.20



**WME WALL MOUNTED EXTRUDER** \$460.35

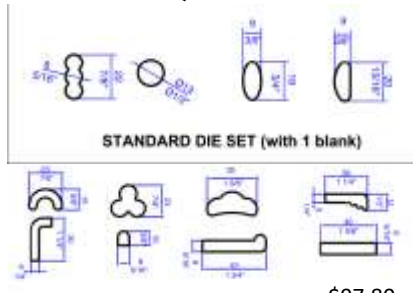
**Designed and Made in Australia  
 Super Robust  
 Ideal for Schools and Studios**



76mm Barrel  
 All Stainless Steel  
 Includes 4 Dies and 1 Blank Die

Standard Die Shapes

Quick Release Die Holder



**STANDARD DIE SET (with 1 blank)**

**OPTIONAL 8 PIECE DIE SET** \$97.80

**VPM VENCO MINI PUG MILL** \$1891.20

63mm Nozzle, Non-Deairing



## STUDIO EQUIPMENT

**VENCO POTTERY WHEELS (Australian Made)**  
 All Venco Products come with a 1 year manufacturer's warranty

CODE	ITEM	\$
VW313	No. 3 1/2 HP, 330mm (13") Wheel Head	\$POA



**direct drive**  
 wireless footpedal

- Packed full of innovative features;
- wireless foot pedal (no cable) - **WORLD FIRST**
- motor directly coupled to wheelhead
- auxiliary finger-tip speed control via touch pad
- high efficiency motor for low power consumption
- incredible torque, smooth & quiet
- stainless steel body & legs

Venco Direct Drive  
 currently unavailable  
 Watch this space!



### VENCO PARTS & ACCESSORIES

VSK	Stand Up Kit for Models 3 & 5	\$389.75
VS	Seat to suit Models 3 & 5	\$150.60
VDDS	Seat to suit Direct Drive	\$150.60
VDD1	Work Table — Left or Right — Suits Direct Drive, No. 3 or No. 5 Models	\$61.90
VDD2	Riser Batt	\$62.75
VDD3	Standard Batt	\$35.75
VD13	Drive Wheel Assembly 305mm (13") for Models 3 & 5	\$118.25
VH11	Wheel Head 280mm (11") Diameter Shaft 20mm (3/4")	\$246.55
VH13	Wheel Head 330mm (13") Diameter Shaft 25mm (1")	\$246.55
VBK20	Bush Kit 20mm (3/4") Shaft 280mm (11") Wheel Head for Models 3 & 6	\$59.95
VBK25	Bush Kit 25mm (1") Shaft 330mm (13") Wheel Head for Models 3 & 5	\$59.95
VM25	1/4HP Motor Cradle & Spring (Compact)	\$369.00
VM50	1/2HP Motor Cradle & Spring (No. 3, 5)	\$385.95
VCD	Driver Cone (all models)	\$65.30
VSL	Spring - Large	\$18.00
VSS	Spring - Small	\$8.10
VGS/ VGL	Grommet -Small & Large <i>Note: Venco Models 3 &amp; 5 requires 4 Small Grommets for the motor mounting &amp; 4 Large Grommets for the rods that go across the wheel. The Venco Model 6 requires 8 Large Grommets.</i>	\$4.35
VBP	Batt Pin	\$3.45

### ROHDE POTTERY WHEEL

\$POA



- Aluminium wheel head, diameter 340 mm
- Wheel head equipped with device for quick change of MDF wooden batts
- Quiet and powerful high-torque drive, foot pedal for flexible and individual speed adjustment
- Left and right drive
- Working height adjustable from 550 to 690 mm
- Seat adjustable in height, inclination and distance to wheel
- Including large splash pan, easy to remove and with lockable drain outlet